

**POWER SUPPLY UNIT TYPE B**

**(A525)**

# PARTS CATALOG

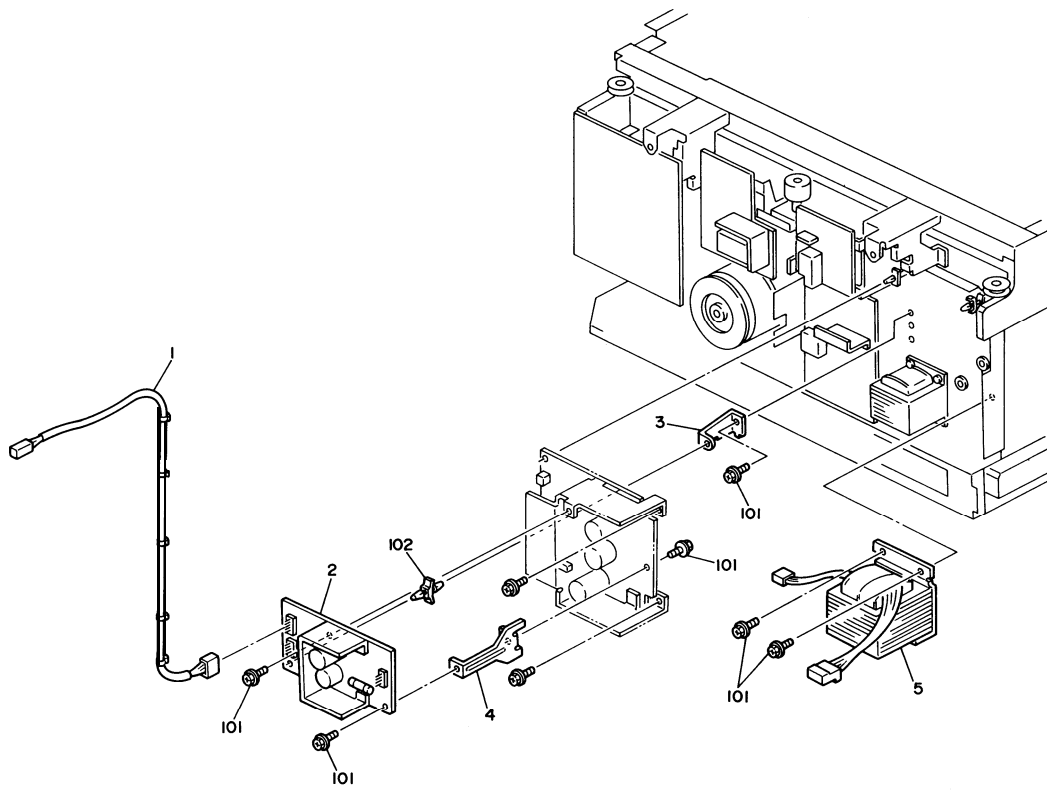
## INTRODUCTION

This chapter instructs you the numbers and names of this parts on this machine.

## INDEX to PARTS CATALOG

1. Power Supply Unit (A525) .....	2
2. DC Drive Board (A525) .....	4
3. PowerSupplyUnitHarness ( <b>A525</b> ) .....	6
<b>Parts Index</b> .....	<b>9</b>

# 1. POWER SUPPLY UNIT (A525)



# 1. POWER SUPPLY UNIT (A525)

Index No.	Part No.	Description	Q'ty Per Assembly
1	A525 5301	Option Harness	1
2	A494 5415	DC Drive Board (115V)	1
2	A494 5416	DC Drive Board (220/240V)	1
3	A494 5601	Small P.S.U. Bracket	1
4	A494 5602	Large P.S.U. Bracket	1
5	AZ12 0014	Transformer - 115V	1
5	AZ12 0015	Transformer - 220/24.0V	1

Index No.	Part No.	Description	Q'ty Per Assembly
101	0443 0060W	Hexagon Head Tapping Screw - M3x6	
102	0313 0060M	Philips Pan Head Screw - M3x6	
103	1105 0159	PCB Stud	

## 2. DC DRIVE BOARD (A525)

### CAPACITOR

SYMBOL NO.	INDEX NO.
C100	114
C101	112
C102	113
C103	117
C104	115
C105	112
C106	113
C107	117
C108	116
C109	116

### CONNECTOR

SYMBOL NO.	INDEX NO.
CN100	101
CN101	101
CN102	101

### DIODE

SYMBOL NO.	INDEX NO.
D100	106
D101	106
D102	106
D103	106
D104	108
D105	108

### FUSE

SYMBOL NO.	INDEX NO.
FU100	103
(FU100)	102
FU101	104
(FU101)	102

### IC

SYMBOL NO.	INDEX NO.
IC100	110
IC101	111

### TRANSISTOR

SYMBOL NO.	INDEX NO.
Q100	105
Q101	105

### RESISTOR

SYMBOL NO.	INDEX NO.
R100	118
R101	120
R102	119
R103	119

### RECTIFIER

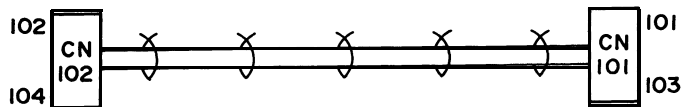
SYMBOL NO.	INDEX NO.
ST100	107
ST101	109

## 2. DC DRIVE BOARD (A525)

Index No.	Part No.	Description	Q'ty Per Assembly
*	A494 5415	DC Drive Board - 115V	<b>1</b>
*	A494 5416	DC Drive Board - <b>220/240V</b>	1

Index No.	Part No.	Description	Q'ty Per Assembly
101	1103 0441	Connector - 4P	
102	1104 0351	Fuse Holder	
103	1107 0354	Fuse - 3.15AJ125V(115V)	
103	1107 0457	Fuse - 3.15A( <b>220/240V</b> )	
104	1107 0391	Fuse - 5A,125V(115V)	
104	1107 0459	Fuse - 5A 250V( <b>220/240V</b> )	
105	1401 0408	Transistor - <b>2SA1205</b>	
106	1402 0388	Diode - W03C	
107	1402 0601	Diode - RBV -401	
108	1402 0951	<b>Zener Diode - EK-13</b>	
109	1405 0176	Rectifier - RBV-601	
110	1408 0569	IC - NJM78M05F-A	
111	1408 0753	IC - NJM78M24FA	
112	1604 1378	<b>Capacitor - 1<math>\mu</math>F 50V</b>	
113	1604 1382	<b>Capacitor - 10<math>\mu</math>F 50V</b>	
114	1604 2446	<b>Capacitor - 4700<math>\mu</math>F <math>\pm</math>20% 25V</b>	
115	1604 2448	<b>Capacitor - 4700<math>\mu</math>F <math>\pm</math>20% 50V</b>	
116	1606 0996	<b>Capacitor - 470pF 50V</b>	
117	1606 1056	<b>Capacitor - 0.1<math>\mu</math>F 50V</b>	
118	1611 4150	<b>Resistor - 15 <math>\Omega</math> <math>\pm</math>5% 1/4W</b>	
119	1611 4680	<b>Resistor - 68 <math>\Omega</math> 1/4T <math>\pm</math>5%</b>	
120	1611 6102	<b>Resistor - 1k <math>\Omega</math> 1/2T +5%</b>	

### 3. POWER SUPPLY UNIT HARNESS (A525)



### 3. POWER SUPPLY UNIT HARNESS (A525)

Index No.	Part No.	Description	Q'ty Per Assembly
*	A525 5301	Option Harness	1

Index No.	Part No.	Description	Q'ty Per Assembly
101	1100 1239	Pin - Mate-N-Lock	
102	1100 1247	Terminal	
103	1102 1509	Connector - 4P	
104	1102 1831	Connector - 4P	



# **PARTS INDEX**

Part No.	Description	Page and Index No.
A525 5301	Option Harness	3- 1
A525 5301	Option Harness	7- *
AZ12 0014	Transformer - 115V	3- 5
AZ12 0015	Transformer - 220/240V	3- 5
A494 5415	DC Drive Board(115V)	3- 2
A494 5415	DC Drive Board - 115V	5- *
A494 5416	DC Drive Board (220/240V)	3- 2
A494 5416	DC Drive Board - 220/240V	5- *
A494 5801	Small P.S.U. Bracket	3- 3
A494 5802	Large P.S.U. Bracket	3- 4

Part No.	Description	Page and Index No.
0313 0060M	Philips Pan Head Screw - M3x6	3-102
0443 0060W	Hexagon <b>Head Tapping Screw</b> - M3x6	3-101
1100 1239	Pin - Mate-N-Lock	7-101
1100 1247	Terminal	7-102
1102 1509	Connector - 4P	7-103
1102 1831	Connector - 4P	7-104
1103 0441	Connector - 4P	5-101
1104 0351	Fuse Holder	5-102
1105 0159	PCB Stud	3-103
1107 0354	Fuse - 3.15A/125V(115V)	5-103
1107 0391	Fuse - 5A, 125V(115V)	5-104
1107 0457	Fuse - 3.15A (220/240V)	5-103
1107 0459	Fuse - 5A 250V (220/240V)	5-104
1401 0408	Transistor - 2SA1205	5-105
1402 0388	Diode - W03C	5-106
1402 0601	Diode - RBV -401	5-107
1402 0951	Zener Diode - EK-13	5-108
1405 0176		
1408 0569		
1408 0753		
1604 1378		
1604 1382		
1604 2446	<b>Capacitor - 4700<math>\mu</math>F <math>\pm</math>20% 25V</b>	5-114
1604 2448	<b>Capacitor - 4700<math>\mu</math>F <math>\pm</math>20% 50V</b>	5-115
1606 0996	<b>Capacitor - 470pF 50V</b>	5-116
1606 1056	<b>Capacitor - 0.1<math>\mu</math>F 50V</b>	5-117
1611 4150	<b>Resistor - 15 <math>\Omega</math> <math>\pm</math>5% 1/4W</b>	5-118
1611 4680	<b>Resistor - 68 <math>\Omega</math> 1/4T <math>\pm</math>5%</b>	5-119
1611 6102	<b>Resistor - 1k <math>\Omega</math> 1/2T + 5%</b>	5-120